



INSPECTION SYSTEMS



Automatic Inspection Machine

MCA 150/66

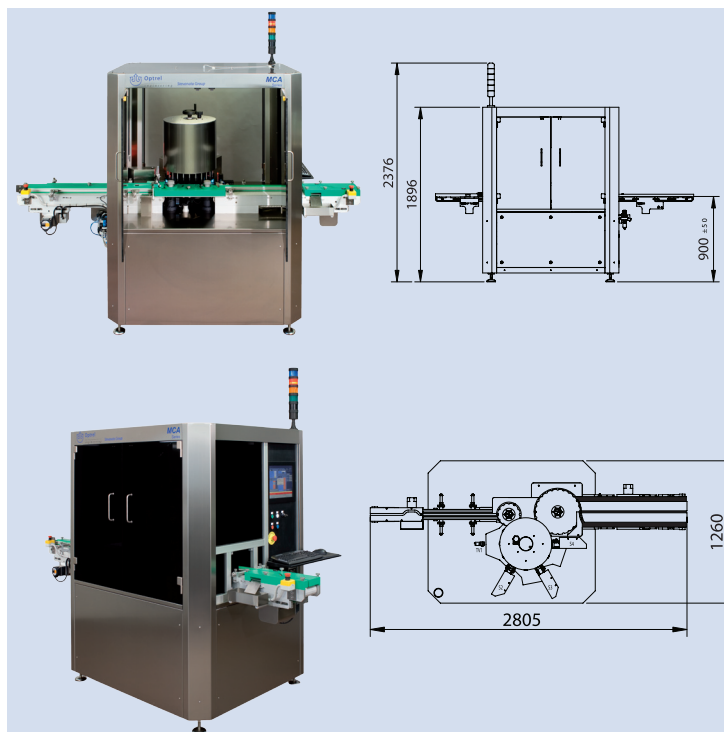


Stevanato
group

synchronized solutions

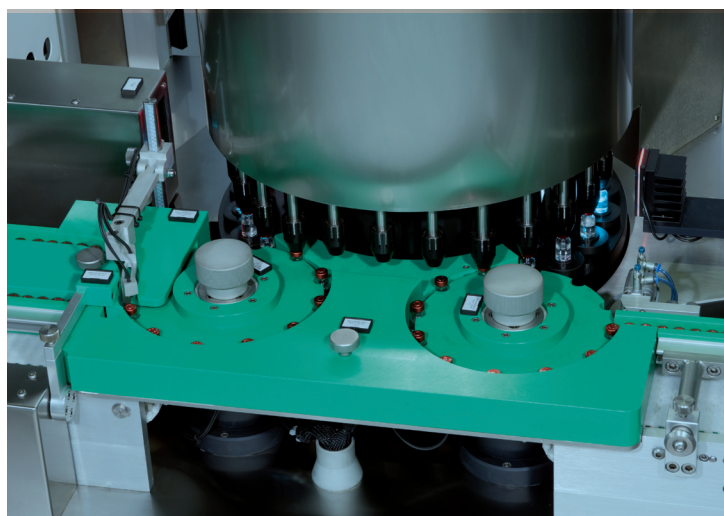
MCA 150/66 - AUTOMATIC INSPECTION MACHINES

The machine has been designed to be inserted into all the modern pharmaceutical production lines. Several options of infeed system has been designed in order to satisfy most of the customers demands. MCA150/66 is specialized in particles inspection and cosmetic inspection. **Particles and fill level inspection are formed by 3 detecting stations. Cosmetic inspection** can check: alu-seal (crimping and defects), missing cap, cap defects, missing flip-off, missing stopper, scrub on the container, cracks on the container, defects on the container. The main machine's turret is equipped with 24 spindles. **The motion** of the machine is obtained with a brushless motor. **The lower part** of the spindle



is rotated or stopped according to the inspection to perform. The machine is equipped with three independent rotation section and an optional pre-rotation motor for suspension products is available. Each container undergoes a series of inspections along the carousel by means of monochromatic CCD digital cameras. Each inspection station consists of a camera and its dedicated LED light source available from bottom or from the back. All the acquired images are sent directly to the PC and processed by our dedicated vision system. The container is accepted if all inspection results are received as positive by the PLC. **This system works** with Siemens WinCC scada. If requested validation procedure could be in compliance with 21 CFR part. 11.

A 15" colour touch screen Operator Interface allows production monitoring and modification of parameters. A specific window gives the image of the selected camera and the inspection result in real time. **Self-explanatory** menus and sub-menus facilitate use of the machine, permitting easy monitoring of process, product choice and effective management of all parameters and failure and alarm handling.



The operator interface is in the user's language.

When a product is selected for inspection from the product database, all programs and inspection parameters will be loaded into the vision system. Inspection parameters are password protected. **A printer connection** is available, standard PC interface, to print documents illustrating production data and preset regulation parameters for each product.

TECHNICAL DATA

MACHINE MODEL	CONTAINER DIAMETER		CONTAINER HEIGHT		OUTPUT (C/hour)	STANDARD VOLTAGE
	min	max	min	max		
MCA 150/66	Ø 16	Ø 66	35	145	9000	400 V 50 Hz

Indicative data: to be confirmed after samples definition